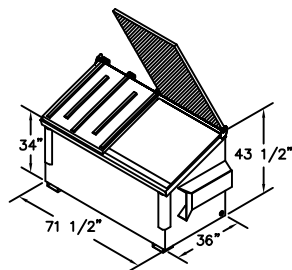
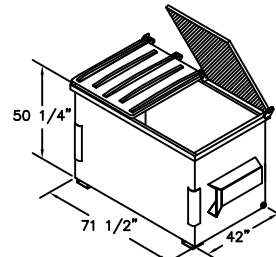


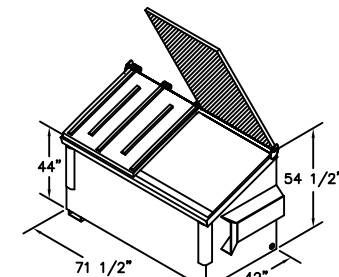
FL2



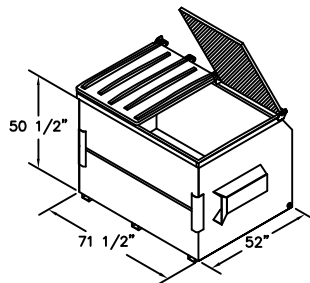
FL2S



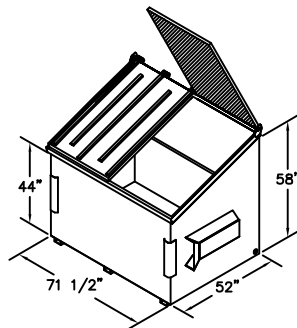
FL3



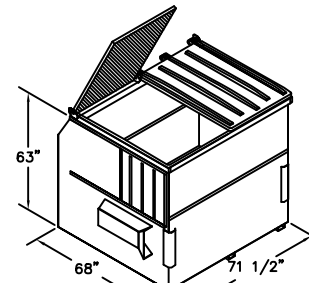
FL3S



FL4

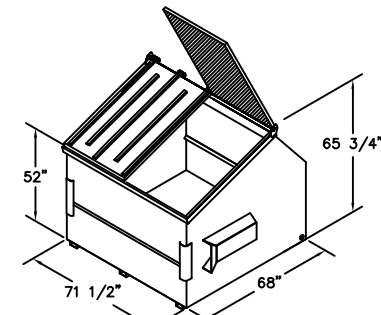


FL4S

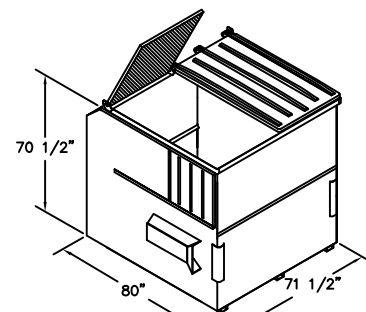


Side Door(s)  
Optional

FL6

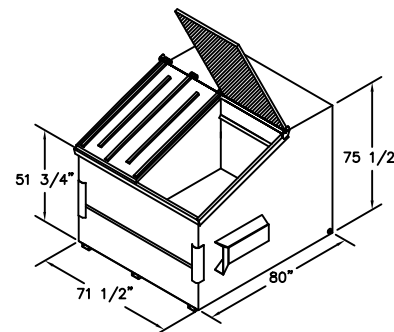


FL6S



Side Door(s)  
Optional

FL8



FL8S

STANDARD SPECS

- 7 Ga Bumper Pads
- (4) 7 Ga Castor Pads – 2,3,4 & 6 Yds
- 6 Yd Flats – Side Doors Optional
- 8 Yd Flats – 2 Side Doors
- Primed & Painted
- (Variety of Colours available)
- Options Available – Cardboard Slots
- Automatic Lid Lock
- Castors – Rigid & Swivel, Locking

NOTE: DIMENSIONS SHOWN ARE NOMINAL



WASTEQUIP ACCURATE STANDARD  
FRONT LOAD CONTAINER SIZES

THIS DRAWING IS THE PROPERTY OF ACCURATE OF CANADA INC., IS CONFIDENTIAL, MUST NOT BE MADE PUBLIC OR COPIED, AND IS SUBJECT TO RETURN ON DEMAND. ALL RIGHTS OF DESIGN OR INVENTION ARE RESERVED.

SCALE	NTS		
DATE	10/28/05	SALES DWGS	DRAWN